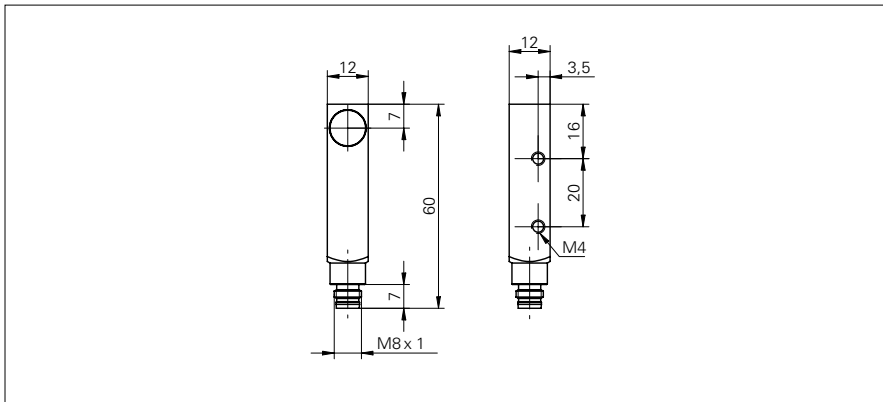


Inductive distance measuring sensors

IWFM 12L9504/S35A

dimension drawing



general data

| | |
|-----------------------|--------------------|
| mounting type | flush |
| measuring distance Sd | 0 ... 4 mm |
| resolution | < 0,005 mm |
| repeat accuracy | < 0,01 mm |
| linearity error | ± 160 µm |
| temperature drift | ± 4 % (Full Scale) |

electrical data

| | |
|--|---|
| response time (factory characteristic) | < 2 ms |
| voltage supply range +Vs | 15 ... 30 VDC |
| current consumption max. (no load) | 40 mA |
| output circuit | voltage - / current output |
| output signal | 0 ... 10 V / 4 ... 20 mA |
| load resistance | > 1000 Ohm (Uout) / 330 ... 1000 Ohm (Iout) |
| voltage drop Vd | < 7,2 VDC (Iout) |
| short circuit protection | yes |
| reverse polarity protection | yes |

mechanical data

| | |
|------------------|---------------------|
| type | rectangular |
| housing material | brass nickel plated |
| dimension | 12 mm |
| housing length | 60 mm |
| connection types | connector M8 |

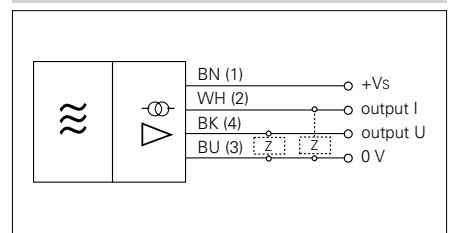
ambient conditions

| | |
|-----------------------|----------------|
| operating temperature | -10 ... +70 °C |
| protection class | IP 67 |

photo



connection diagram



- linearity deviation (S = 0,5...4 mm) ± 4% (Full Scale)
- load resistance: Uout min 1000 Ohm / Iout 330 - 1k
- voltage drop Vd: Iout 7,2 V